

Ricochet™ Two-Wire AlphaSonic Level Transmitter

Features

- ✓ Simple compact sensor with fixed span and LED status indicator
- ✓ Two measurement ranges up to 3.7m with 3/4" and 2" transducers
- ✓ Narrow 8° beam width for application in restricted space
- ✓ PP enclosure rated NEMA 4X with rugged PVDF transducer
- ✓ Fail-safe intelligence with diagnostic feedback for easy troubleshooting

Description

The general purpose two-wire ultrasonic transmitter provides non-contact level measurement up to 12' or 3.7 m, and is well suited for corrosive or ultrapure liquids. The transmitter is typically selected for light duty atmospheric day tank and process vessel applications. Media examples include ultrapure water, potable water and brine solutions.



Specifications

Range:	LA15: 3.6" to 6' (9 cm to 1.8m) LA20: 6" to 12' (15 cm to 3.7m)
Accuracy:	± 0.25% of span in air
Resolution:	0.125" (3mm)
Beam width:	8° conical
Dead band:	LA15: 3.6" (9 cm) LA20: 6" (15 cm)
LED indication:	Power and fail-safety
Supply voltage:	12-36 VDC
Loop resist.:	600 Ohms @ 24 VDC
Signal output:	4-20 mA, two-wire
Fail-safety:	Reverts to 22 mA during echo-loss
Process temp.:	F: -40° to 140° C: -40° to 60°
Temp. comp.:	Automatic
Electronics temp.:	F: -4° to 140° C: -20° to 60°
Pressure:	30 psi (2 bar) @ 25° C., derated @ 1.667 psi (.113 bar) per °C. above 25° C.
Enclosure rating:	NEMA 4X (IP65)
Encl. material:	PP, UL94VO
Trans. material:	PVDF
Process mount:	LA15: 3/4" NPT (3/4" G) LA20: 2" NPT (2" G)
Mount. gasket:	Viton®
Conduit entrance:	Single, 1/2" NPT
Classification:	General purpose
CE compliance:	EN 61326 EMC



Ricochet

Ordering

LA -50 1

Sensor range / size
 15 6' (1.8 m) / 3/4"
 20 12' (3.7 m) / 2"
Process mount (1)
 0 NPT (US)
 6 G (Metric)

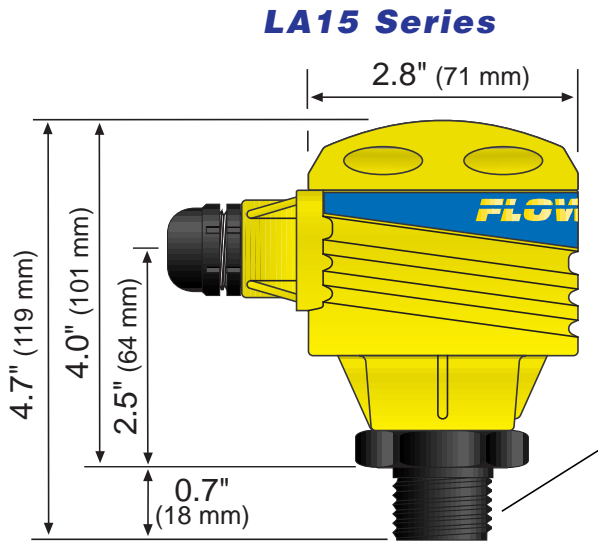
Ordering Notes

- 1) For installation on open tanks, order the LM50-1001 (2" NPT) or LM50-1061 (2" G) side mount bracket.



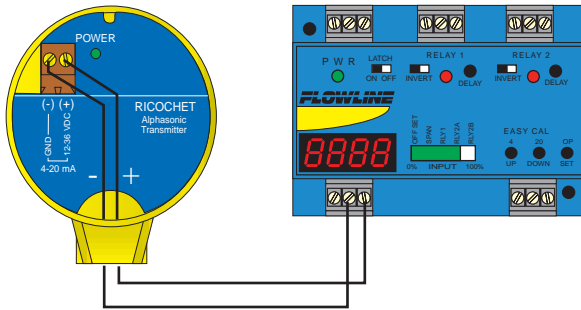
Ricochet™ Two-Wire AlphaSonic Level Transmitter

Dimensions

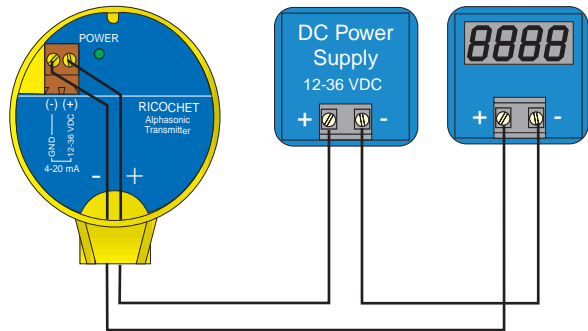


Specifications are subject to change without notice.

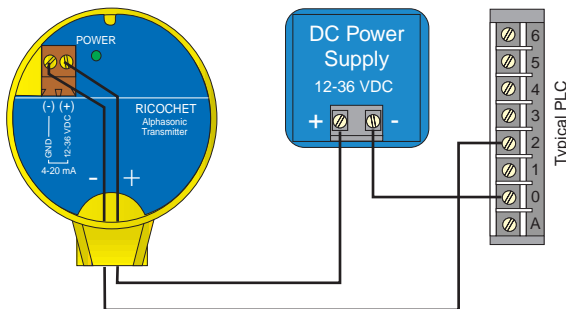
Wiring to LC52 Controller



Wiring to Loop Powered Meter



Wiring to PLC



Wiring to Universal Panel Meter

